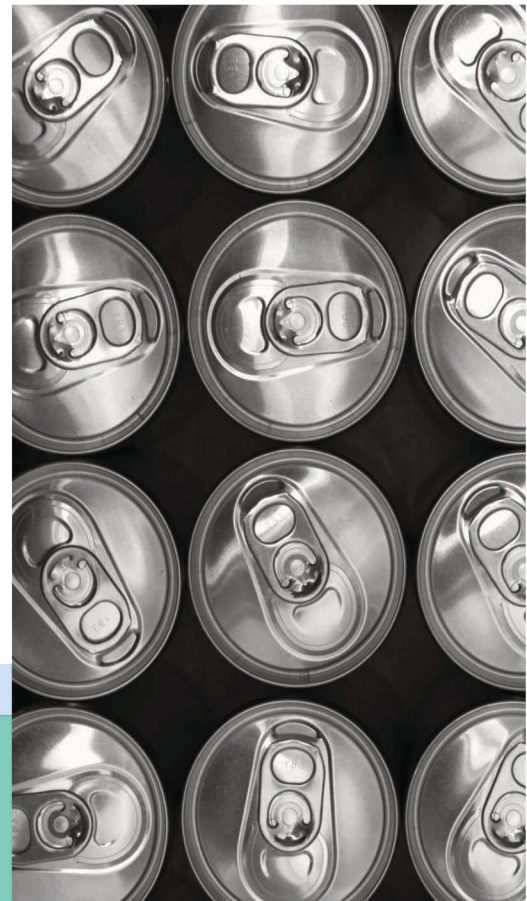


AROJA XORFEX

D I G I T A L S O L U T I O N S



**MEET OUR
PROJECT
SOLUTIONS**

**FIND THE BEST
PRINTING TECHNOLOGY
FOR YOUR BUSINESS**



DIGITAL PRINTING AND INDUSTRIAL AUTOMATION

AROJA XORFEX IS A LEADER IN THE DEVELOPMENT AND SUPPLY OF INDUSTRIAL DIGITAL INKJET PRINTING MACHINES, 3D PRINTERS AND DEDICATED EQUIPMENT WITH A HISTORY SINCE 2005.

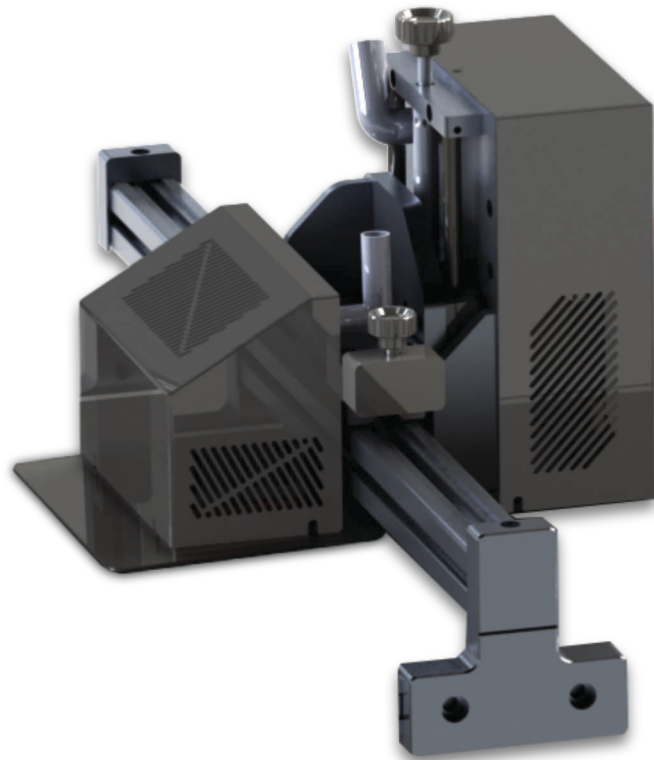
AMONG OUR SOLUTIONS ARE SUPPLY OF DIGITAL INKJET PRINTING TECHNOLOGY FOR PRINTING ON LARGE-FORMAT PANELS, ROTARY OBJECTS, STICKERS, LABELS AND SPECIAL CUSTOM MADE SOLUTIONS TO WORLDWIDE CUSTOMERS.

**OUR MISSION IS TO BE A STABLE,
RELIABLE AND HONEST PARTNER.**

**HIGH-SPEED DIGITAL
INKJET PRINTING MODULES
DESIGNED FOR
PERSONALIZED DATA
PRINTING.**

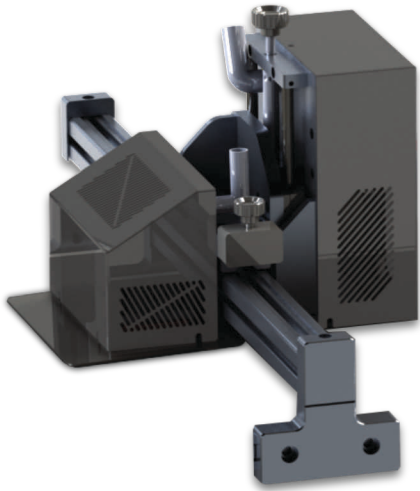
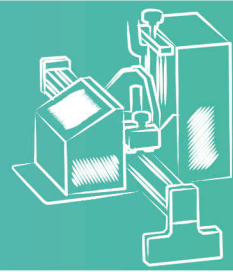
AX INKJET

INDUSTRIAL INKJET MARKING



PRINTING UNITS

PU LITE

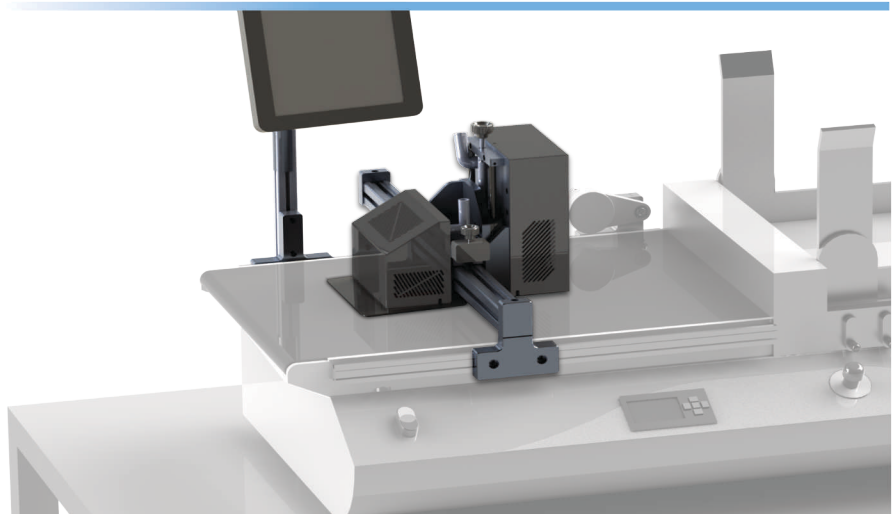


AXINKJET CODING, MARKING AND LABELING PRINTERS ARE DESIGNED TO PRINT QR CODES, BAR CODES, PERSONALISED INFORMATIONS AND ANY OTHER DATAS.

PRINT UNITS PU LITE SERIES ARE EASY TO HANDLE AND VERY PRODUCTIVE DEVICES TO BE INTEGRATED ON ANY TYPE OF PRINTING TABLES AND MACHINES.

ESPECIALLY SUITABLE FOR PRINT ON:

- **CARDBOARD BOXES**
- **PACKAGES FOR COSMETICS, MEDICAMENTS AND ALL OTHER PRODUCTS**
- **LABELS**



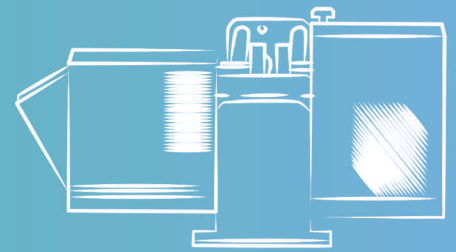
TECHNICAL DATA:

- **AVERAGE PRINTING SPEED WITH ONE COLOR: 10 - 80 M/MIN**
- **HOURLY PRODUCTIVITY UP TO 14 400 PCS**
- **PRINT RESOLUTION: UP TO 600 X 1800 DPI**
- **TYPE OF INK: UV, UV LED, SOLVENT, WATERBASE, OIL BASE ..**
- **STANDARD PRINTING WIDTH: 72 MM**
- **INK ACTIVATION: UV LED LAMP / FINAL ACTIVATION UV LAMP OR IR LAMP POSSIBLE**
- **OBJECT LOADING BY AUTOMATIC LOADER OR MANUALLY**
- **ELECTRIC ENERGY CONSUMPTION: FROM 1.9 TO 5.7 KWH (DEPENDS ON WIDTH OF THE UNIT)**
- **OPERATING SOFTWARE: AXPRINT**



WATCH OUR PU LITE VIDEO PRESENTATION!

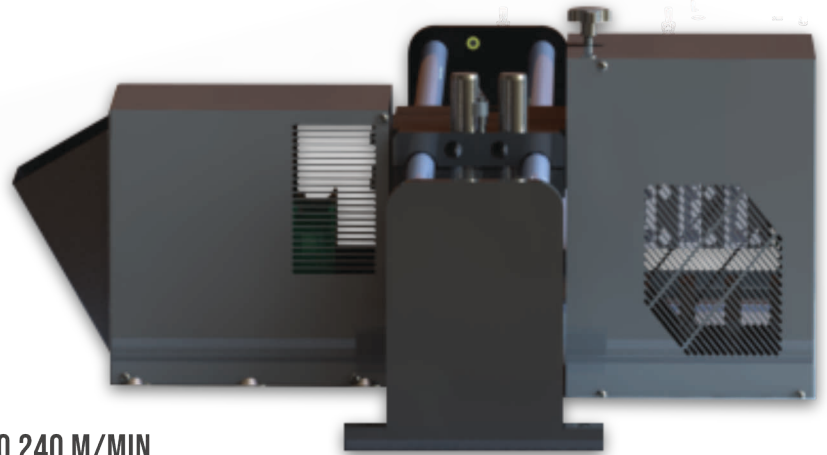
PU ROBUST



PRINTING UNITS PU ROBUST SERIES ARE DEVELOPED FOR VERY HIGH-SPEED PRINTING JOBS AND HIGH-QUALITY PRINT DEMANDS INCLUDING SPOT VARNISHING AND MULTICOLOR SINGLE PASS PRINTING.

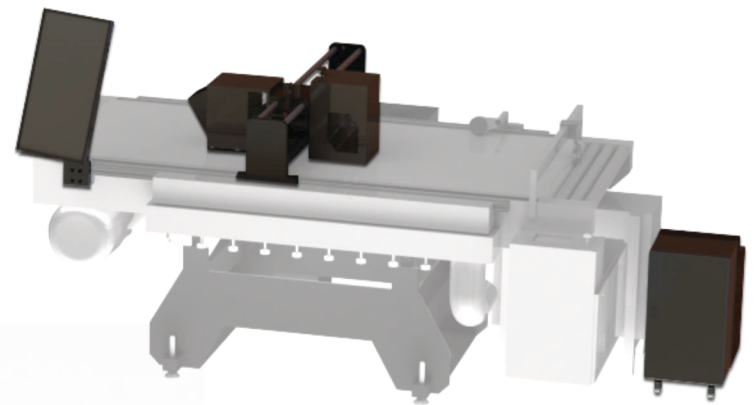
ESPECIALLY DESIGNED TO PRINT ON:

- LEAFLETS AND PROSPECTS
- ENVELOPES AND LETTERS
- LABELS AND STICKERS



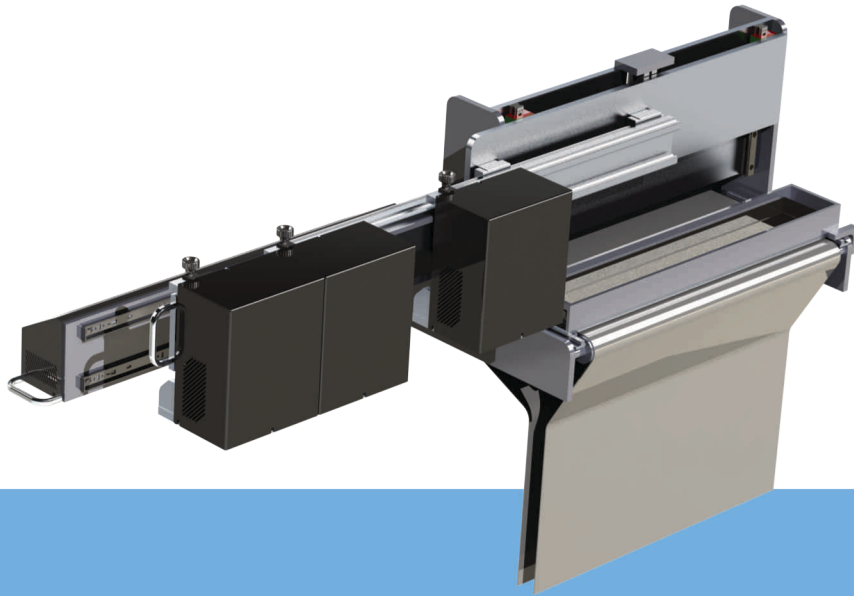
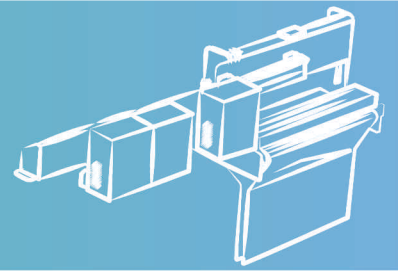
TECHNICAL DATA:

- AVERAGE PRINTING SPEED WITH ONE COLOR: UP TO 240 M/MIN
- THE HIGHEST PRINT RESOLUTION: 600 X 1800 DPI
- PRINTING WIDTH: UP TO 1600 MM
- TYPE OF INK: UV, UV LED, SOLVENT, WATERBASE, OIL BASE
- INK ACTIVATION: UV LED LAMP / FINAL ACTIVATION UV LAMP / IR LAMP
- OBJECT LOADING BY AUTOMATIC LOADER OR MANUALLY
- ELECTRIC ENERGY CONSUMPTION: FROM 3,6 - 7.2 KWH
(DEPENDS ON WIDTH OF THE UNIT)
- OPERATING SOFTWARE: AXPRINT



WATCH OUR PU ROBUST VIDEO PRESENTATION!

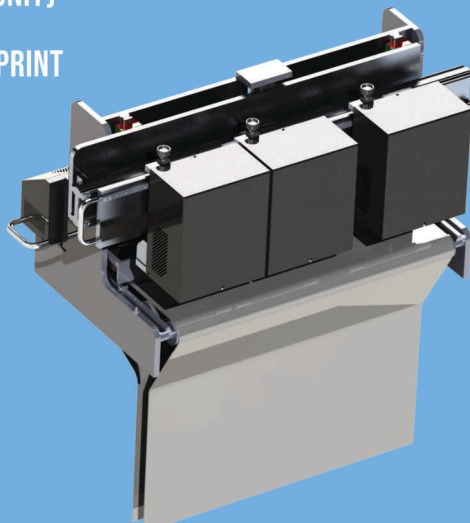
PU FLEXO



PRINTING UNITS **PU FLEXO** SERIES ARE EASY TO HANDLE AND VERY PRODUCTIVE DEVICES TO BE INTEGRATED ON ANY TYPE OF PRINTING TABLES AND MACHINES.

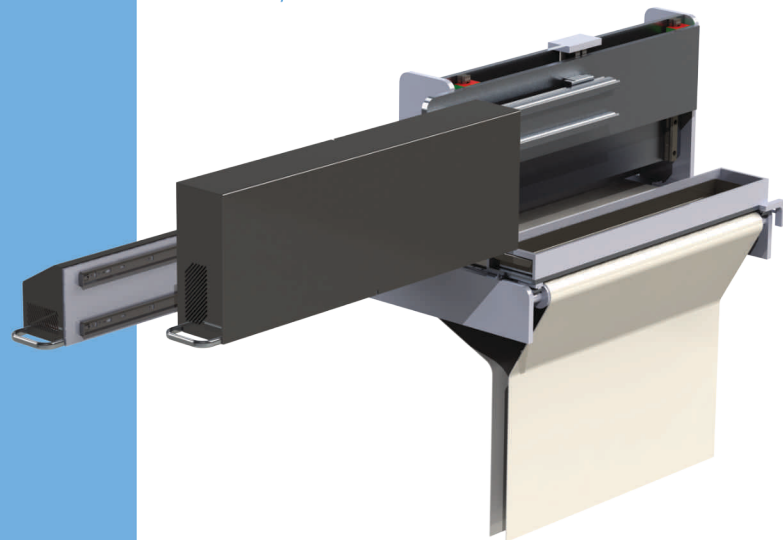
TECHNICAL DATA:

- AVERAGE PRINTING SPEED WITH ONE COLOR: UP TO 320 M/MIN
- HOURLY PRODUCTIVITY UP TO 700 000 PRINT / HOUR
- PRINT RESOLUTION: UP TO 600 X 1800 DPI
- TYPE OF INK: UV, UV LED, SOLVENT, WATERBASE, OIL BASE ..
- STANDARD PRINTING WIDTH: UP TO 1600 MM OR 3 INDEPENDENT UNITS
- INK ACTIVATION: UV LED LAMP / FINAL ACTIVATION UV LAMP OR IR LAMP POSSIBLE
- OBJECT LOADING BY AUTOMATIC LOADER OR MANUALLY
- ELECTRIC ENERGY CONSUMPTION: FROM 2,7 TO 11,7 KWH (DEPENDS ON WIDTH OF THE UNIT)
- OPERATING SOFTWARE: AXPRINT



ESPECIALLY SUITABLE FOR PRINT ON:

- ROLL TO ROLL PRODUCTS
- FOILS
- LEAFLETS
- SPOT VARNISHING
- LABELS, STICKERS AND MANY OTHERS





**PRINTING MACHINES
DESIGNED FOR VERY
FAST PRINTING ON
CERAMIC, WOODEN,
PLASTIC, PAPER AND
OTHERS.**

AX PANEL

THE FUTURE OF GARAGE DOOR INDUSTRY



FLAT PRINTING

TFP



PRINTING MACHINE TYPE TFP FOR SMALLER FLAT PANELS AND EXPERIMENTAL PRINT WITH UV INK



■ CREATIVE PRINTING ON SMALLER ITEMS IN VERY HIGH OPTICAL RESOLUTION.

■ AUTOMATIC TILTING OF PANELS FOR PRINTING ON EDGES.

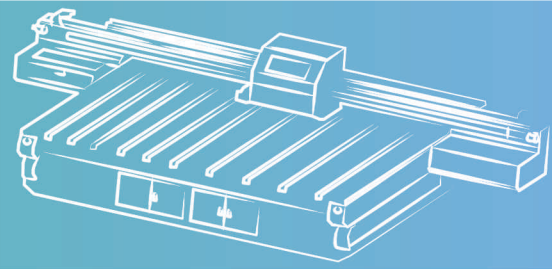
■ PRINT IN THE CMYK COLOR CONFIGURATION EXTENSIBLE TO ADDITIONAL COLOR CHANNELS (WHITE, VARNISH, SPOT COLOR)

TECHNICAL DATA:

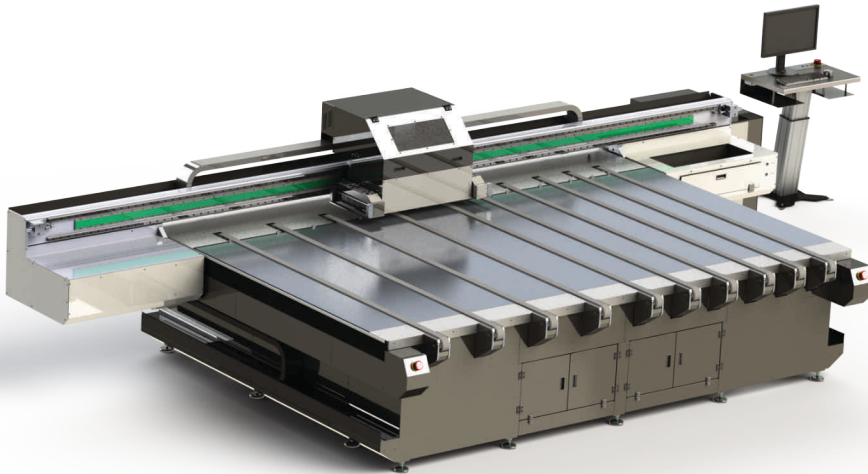
- RESOLUTION: 360 X 360 DPI
- DIMENSIONS OF THE PANELS: 353 X 500 MM
- POWER CONSUMPTION: 3.0 KWH
- ACTIVATION OF INK: UV LAMP / LED UV UNIT
- MANUALLY ADJUSTABLE PRINTING HEIGHT 0 - 200 MM
- AUTOMATIC TILTING OF A PANEL FOR PRINTING ON THE EDGE
- OPERATING SOFTWARE: AXPRINT



FB



PRINTING MACHINE TYPE FB FOR VERY FAST PRINTING ON FLAT WOODEN, PLASTIC, PAPER AND OTHER PLATES BUT MODIFIED TO SPECIFIC REQUIREMENTS ON DIMENSIONS OF THE CUSTOMER



TECHNICAL DATA:

- DIMENSIONS OF PRINTING ITEM: UP TO 4000 X 2000 MM (COULD BE ADJUSTED BASED ON CUSTOMER REQUIREMENTS)
- NO. OF CHANNELS: UP TO 8 CHANNELS
- WAY AND PRODUCTIVITY OF PRINT: BIDIRECTIONAL UP TO 120 M² / HOUR
- AVERAGE CONSUMPTION: 24 ML / M²
- PRINTING HEADS: KONICA MINOLTA, XAAR, KYOCERA, SEIKO, RICOH...
- MAXIMUM NO. OF PRINT HEADS: UP TO 32 PRINTING HEADS

■ THE BASIC ELEMENT IS AN ADVANCED PRINT MODULE FITTED WITH SEVERAL ROWS OF PRINT HEADS KONICA MINOLTA, XAAR OR OTHER PRODUCERS.

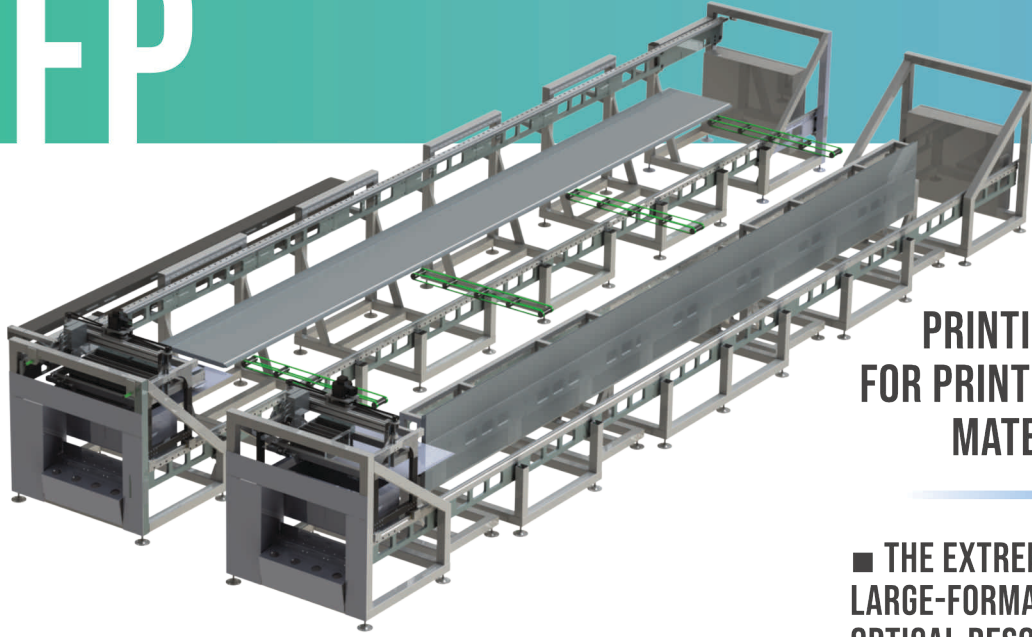
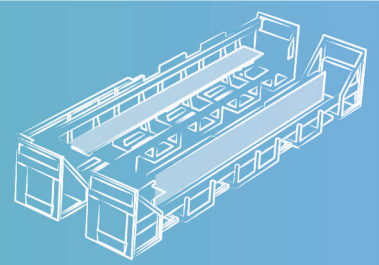
■ THE MACHINE IS CALCULATED THAT THE PRINTING PROCESS IS MADE BY BOTH DIRECTIONS (FROM 2PASS TO 8PASS) TO KEEP AS HIGH PRODUCTIVITY AND QUALITY AS POSSIBLE.

■ PRINTED MODULE IS DESIGNED AS A WELDED FRAME WITH A PULL-OUT PRINT MODULE FOR EASY MAINTENANCE AND CONTROL OF THE PRINT HEADS.

■ THE PRINT IS DONE BY SEVERAL RUNS OVER THE SURFACE OF THE STEM LENGTHWISE.



FP



PRINTING MACHINE TYPE FP FOR PRINTING ON PANELS AND FLAT MATERIALS WITH UV INK

TECHNICAL DATA:

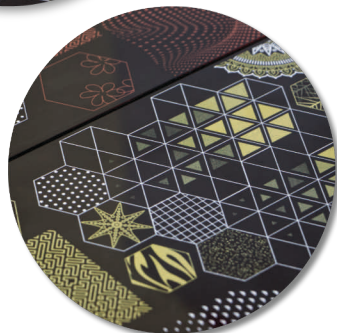
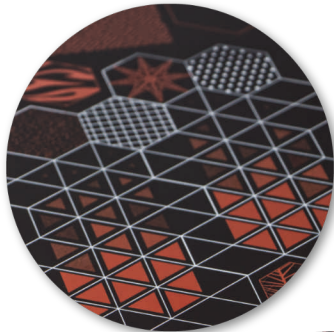
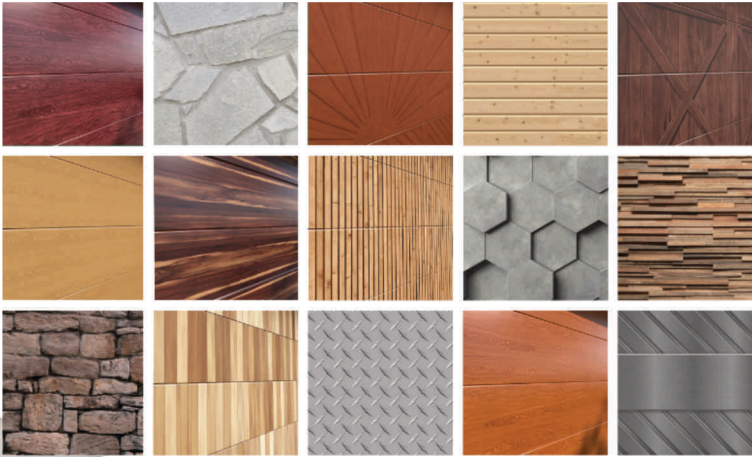
- PRINT RESOLUTION: 360 X 360 DPI
- OPTICAL RESOLUTION: 2160 X 2160 DPI
- DIMENSIONS OF THE PANELS: UP TO 1100 X 10 000 MM (DIMENSIONS ARE ADJUSTABLE ACCORDING TO CUSTOMER'S REQUIREMENTS)
- ELECTRIC ENERGY CONSUMPTION: 7,2 - 10,9 KWH
- ACTIVATION OF INK: UV LAMP / UV LED LAMP
- AUTOMATICALLY ADJUSTABLE PRINTING HEIGHT 0 - 70 MM
- CHECK OF PANEL PLACEMENT BEFORE PRINTING
- AUTOMATIC DETECTION OF THE BEGINNING OF A PANEL AND ITS LENGTH
- AUTOMATIC TILTING OF A PANEL FOR PRINTING ON THE EDGE
- OPERATING SOFTWARE AXPRINT

- THE EXTREME SPEED OF PRINTING ON LARGE-FORMAT MATERIALS IN VERY HIGH OPTICAL RESOLUTION.
- THE MACHINE IS ADJUSTABLE FOR A PRINTING WIDTH OF UP TO 1100 MM AND LENGTHS OF UP TO 10 000 MM.
- AUTOMATIC TILTING OF PANELS FOR PRINTING ON EDGES.
- PRINT IN THE CMYK COLOR CONFIGURATION EXTENSIBLE TO ADDITIONAL COLOR CHANNELS (WHITE, VARNISH, SPOT COLOR)



WATCH OUR **AX PANEL**
VIDEO PRESENTATION!



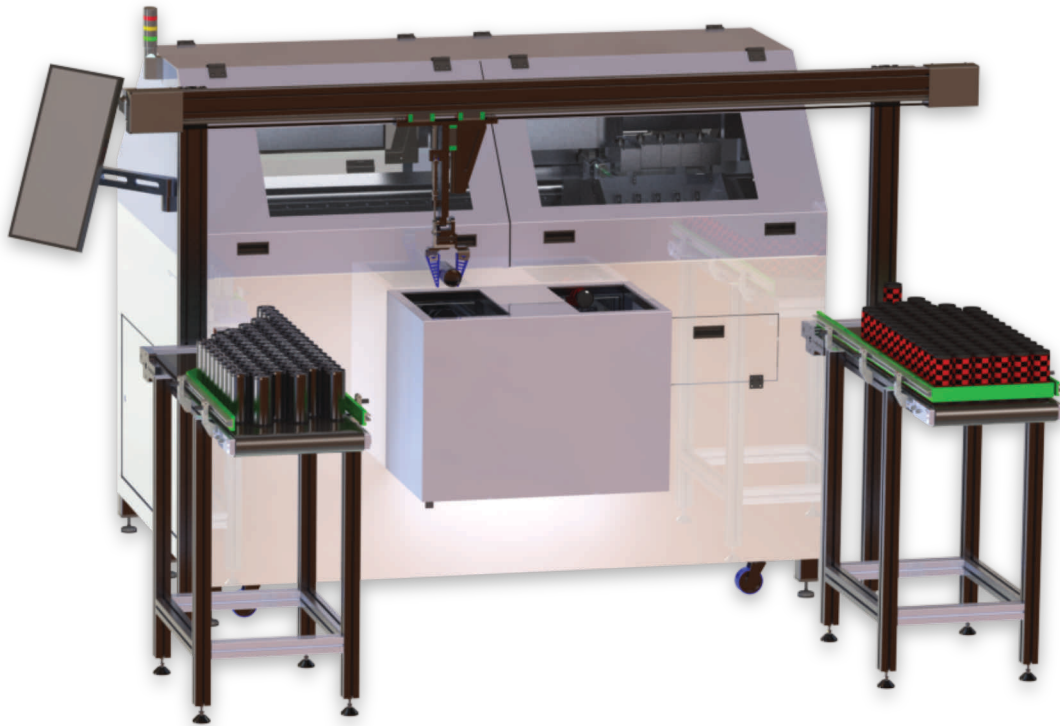


**DIGITAL INKJET UV PRINTERS
DEVELOPED FOR VERY HIGH
FLEXIBILITY & PRODUCTIVITY
& SPECIAL EFFECTS.**

**DESIGNED FOR PRINT ON
CONICAL AND
CYLINDRICAL OBJECTS.**

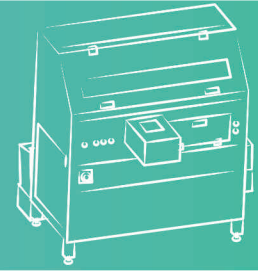
AX SPIN

DIGITAL SOLUTIONS FOR ROTARY ITEMS

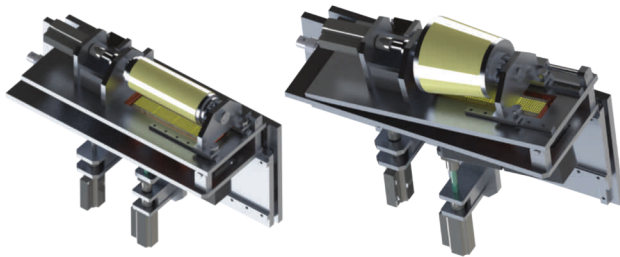


ROTARY PRINTING

RP



LOW VOLUME PRINTING FOR DESIGN AND GRAPHICS STUDIOS, ADVERTISING OFFICES AND THE BEVERAGE INDUSTRY

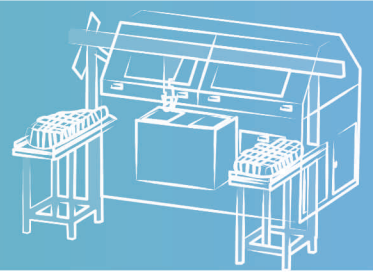


- HIGHLY FLEXIBLE PRINTING OF CYLINDRICAL AND CONICAL OBJECTS
- DESIGN AND GRAPHICS STUDIOS FOR ITS SUPERB FLEXIBILITY AND EASY USE
- ADVERTISING OFFICES FOR PRINTING ROTARY OBJECTS FOR ADVERTISING USE
- BEVERAGE INDUSTRY FOR SMALLER PRINTING JOBS

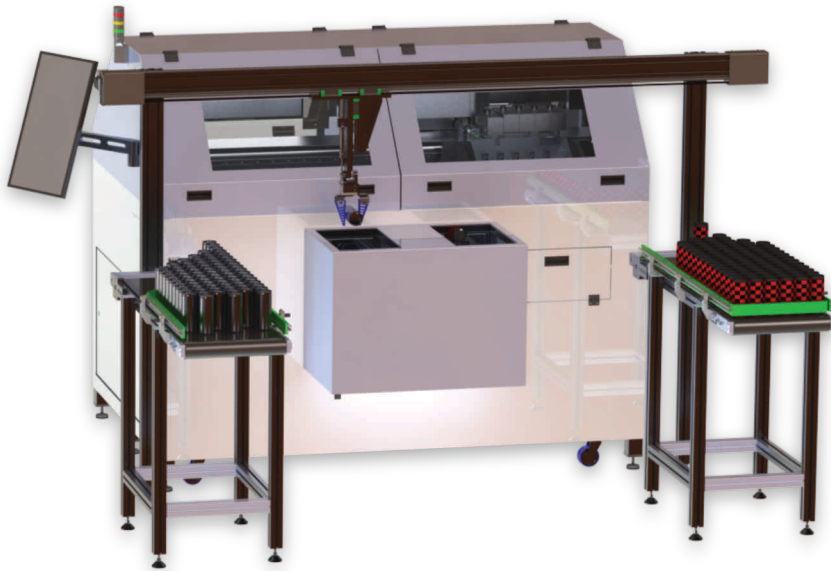
- OPTICAL RESOLUTION: 960 X 960 DPI
- DIMENSIONS OF OBJECTS: UP TO Ø 300 X 210 MM (DIMENSIONS ADJUSTABLE ACCORDING TO CUSTOMER REQUIREMENTS)
- ACTIVATION OF INK: UV LAMP / UV LED LAMP
- STANDARD COLOR CHANNELS: CMYK + WHITE + VARNISH AND UP TO 4 SPOT COLORS
- ELECTRIC ENERGY CONSUMPTION: 3.0 KWH
- OPERATING SOFTWARE AXPRINT



2RP



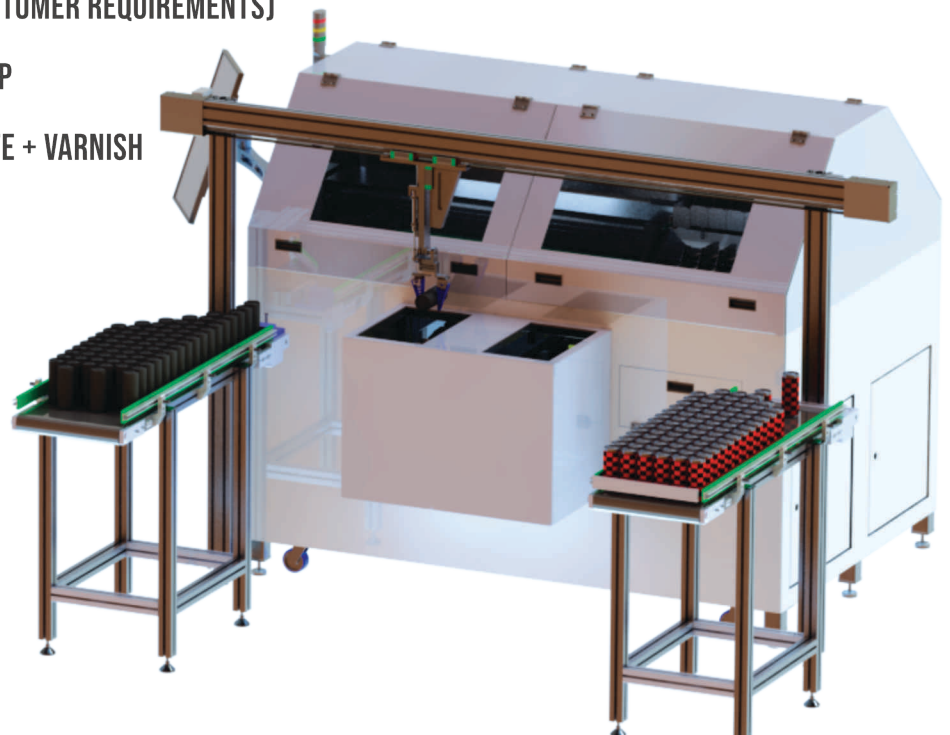
MEDIUM VOLUME PRINTING OF ADVERTISING AND FOR THE COSMETIC, BEVERAGE AND MEDICAL EQUIPMENT INDUSTRIES



- FULLY AUTOMATED, FLEXIBLE, FAST PRINTING TECHNOLOGY
- PRINTS ON MOST CYLINDRICAL AND CONICAL OBJECTS
- QUICKLY CHANGE BETWEEN CYLINDRICAL AND CONICAL OBJECT PRINTING
- PRODUCT LOADING BY THE MANIPULATOR, OR MANUALLY, INTO TWO LOADERS
- PRINTING STARTS AUTOMATICALLY AFTER OBJECT PLACED INTO LOADER
- UV OR UV LED INKS ALLOW IMMEDIATE USE OF PRINTED PRODUCTS

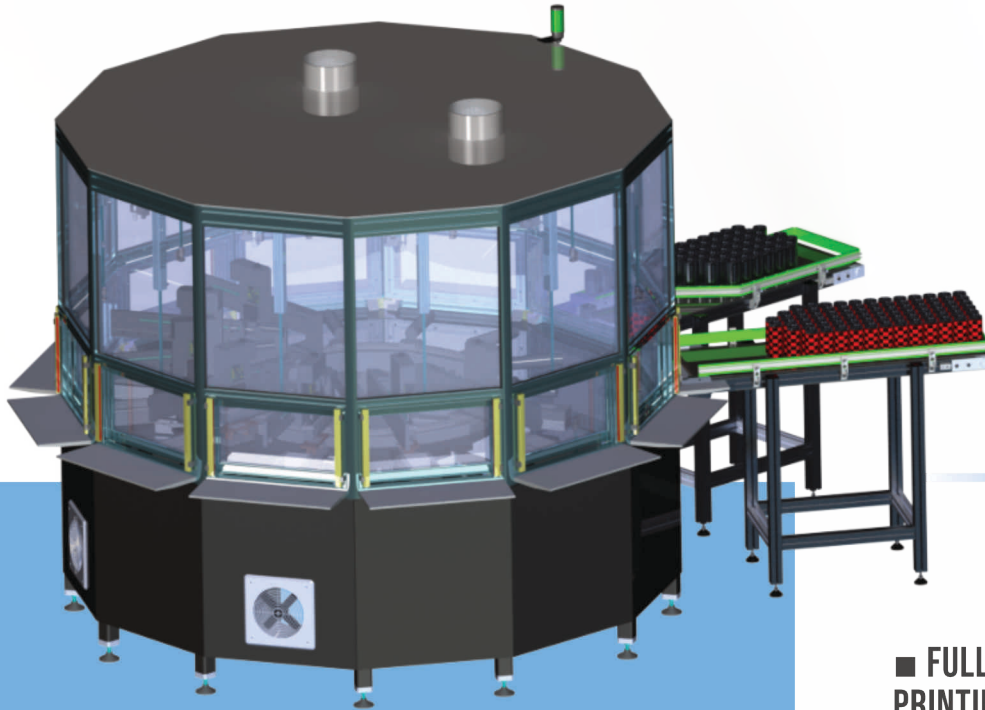
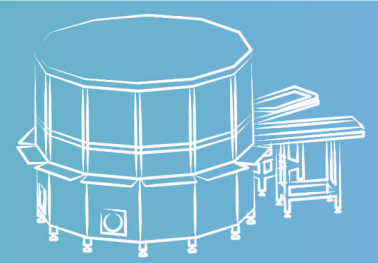
TECHNICAL DATA:

- PRODUCTIVITY: UP TO 180 PCS PER HOUR
- OPTICAL RESOLUTION: 960 X 960 DPI
- DIMENSIONS OF CYLINDRICAL OBJECTS: UP TO $\varnothing 150 \times 280$ MM (DIMENSIONS ADJUSTABLE ACCORDING TO CUSTOMER REQUIREMENTS)
- ACTIVATION OF INK: UV LAMP / UV LED LAMP
- STANDARD COLOR CHANNELS: CMYK + WHITE + VARNISH
- ELECTRIC ENERGY CONSUMPTION: 4.0 KWH
- OPERATING SOFTWARE AXPRINT



WATCH OUR **AX SPIN**
VIDEO PRESENTATION!

KP

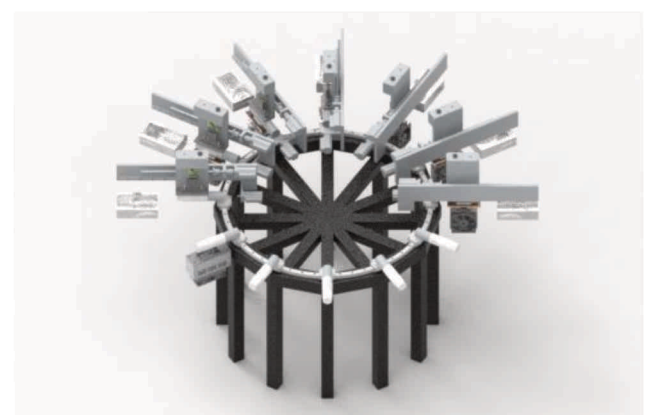


HIGH VOLUME PRINTING OF ADVERTISING AND FOR THE COSMETIC, BEVERAGE AND MEDICAL EQUIPMENT INDUSTRIES

TECHNICAL DATA:

- PRODUCTIVITY: UP TO 900 PCS/HOUR (ONE CAVITY)
- OPTICAL RESOLUTION: 960 X 960 DPI
- DIMENSIONS OF OBJECTS FROM $\varnothing 10$ TO 100 MM X 280 MM HEIGHT (DIMENSIONS ADJUSTABLE ACCORDING TO CUSTOMER REQUIREMENTS)
- ACTIVATION OF INK: UV LED LAMP / FINAL ACTIVATION UV LAMP
- CHECK OF OBJECT PLACEMENT BEFORE PRINTING
- ELECTRIC ENERGY CONSUMPTION: 11.2 KWH
- OPERATING SOFTWARE AXPRINT

- FULLY AUTOMATED, FLEXIBLE, VERY FAST PRINTING TECHNOLOGY
- HIGH LEVEL OF DESIGN FLEXIBILITY
- PRINTS ON MOST CYLINDRICAL AND CONICAL OBJECTS
- QUICKLY CHANGE BETWEEN CYLINDRICAL AND CONICAL OBJECT PRINTING
- PRODUCT LOADING BY MANIPULATOR REQUIRES ONLY 4 - 8 SECONDS
- THE MAXIMUM CAVITY IS TWO PER POSITION
- PRINTING STARTS AUTOMATICALLY AFTER OBJECT PLACED INTO THE LOADER
- UV OR UV LED INKS ALLOW IMMEDIATE USE OF PRINTED PRODUCTS

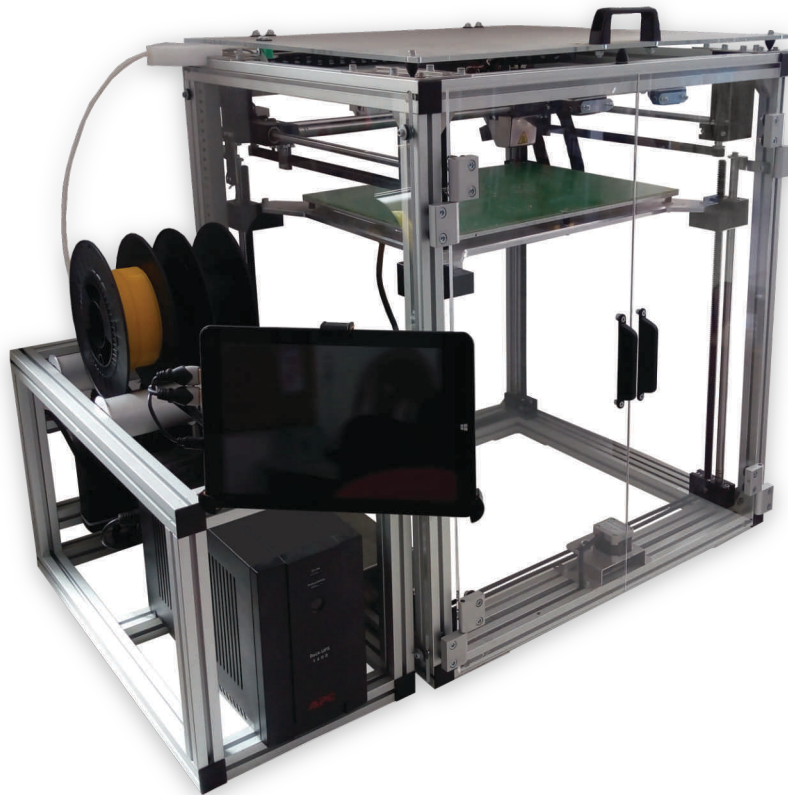




**INDUSTRIAL 3D PRINTING
SOLUTIONS FOR
LONG-LASTING & COMPLEX
PRINTING JOBS**

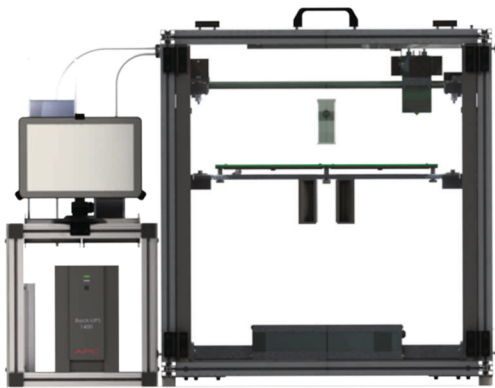
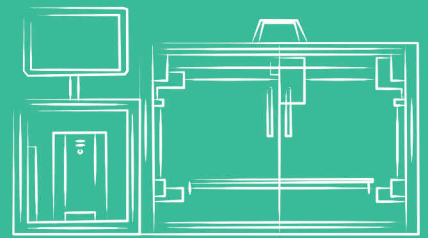
AX3DPRINT

INDUSTRIAL 3D PRINTING SOLUTIONS



3D PRINTERS

TIPUS 3D



TIPUS 3D IS A MULTI-MATERIAL 3D PRINTER WITH INNOVATIVE FEATURES FOR INDUSTRIAL USAGE. DUAL-EXTRUDER PRINTER IS EQUIPPED WITH AN IP HD CAMERA, UPS BATTERY, STUCK FILAMENT, TOUCH SCREEN TABLET.

IT IS DEVELOPED FOR COMPLEX & LONG-LASTING PRINTING JOBS. IT IS INTENDED FOR LARGE PROTOTYPE COMPANIES, GRAPHIC STUDIOS, AND ANY OTHER PROFESSIONAL USE.

TECHNICAL DATA

- DIMENSIONS: 700 X 600 X 710 MM
- PRINTING AREA: 400 X 260 X 400 MM
- SLICE RESOLUTION: 0.08 - 0.7 MM
- WEIGHT: 38 KG
- MAX. PRINTING SPEED: 80MM/S
- MAX CROSSING SPEED: 230 MM/S
- POWER CONSUMPTION: 22 V 7 220 W + 24 V / 120 W
- CERTIFICATION: CE / WEEE
- PRINTING MATERIAL: PLA, H-PLA, ABS, ASA, PET-G AND OTHERS



FULL EQUIPPED 3D PRINTERS



TABLET 10,1"

THE 3D PRINTER IS IMPROVED WITH WIFI & USB CONNECTION WITH USAGE OF THE TABLET. TABLET IS COMBINED WITH AN ADJUSTABLE HOLDER.



UPS BATTERY BACKUP

UPS BATTERY PREVENTS DAMAGE CAUSED BY ELECTRICITY LOSS. IT AUTOMATICALLY STEPS UP LOW VOLTAGE AND STEPS DOWN HIGH VOLTAGE TO LEVELS THAT ARE SUITABLE FOR 3D PRINTER.



SINGLE EXTRUDER

SINGLE EXTRUDER PROVIDES PERFECT SINGLE-COLOR PROTOTYPING. IT HAS GOT STABLE AND PROVEN CONSTRUCTION.



FULL HD WI-FI CAMERA

FULL HD CAMERA ACHIEVES PERFECT VIEW OF A PRINTING PROCESS. CAMERA PROVIDES A 180-DEGREE PANORAMIC VIEW FOR AN EXCELLENT FIELD-OF-VISION ACROSS AN ENTIRE PRINTING ROOM.



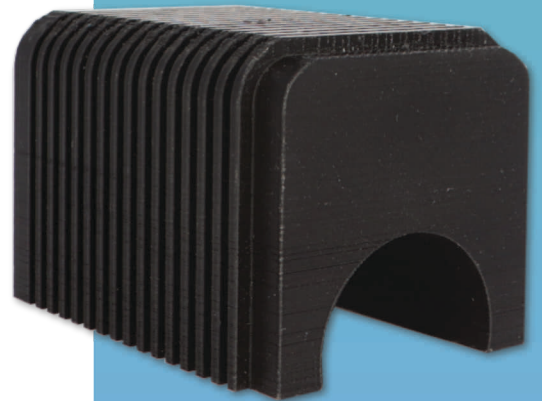
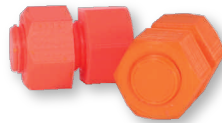
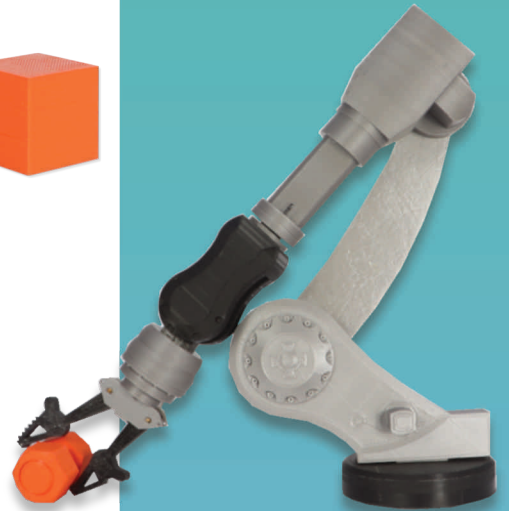
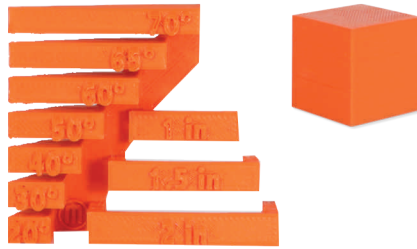
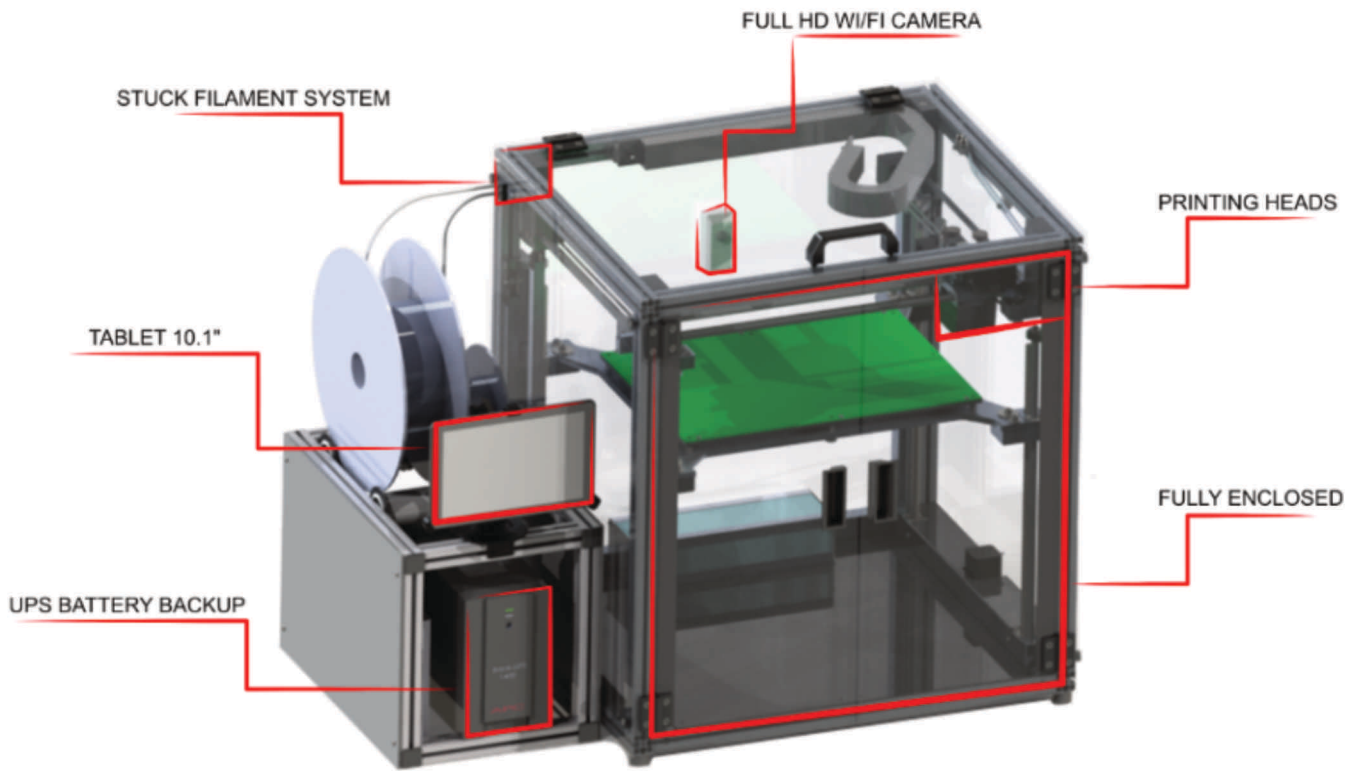
REPETIER SERVER

ACCESS AND CONTROL YOUR 3D PRINTERS VIA A WEB INTERFACE FROM EVERYWHERE. THE SERVER WORKS ON ALL RECENT BROWSERS.



STUCK FILAMENT SYSTEM

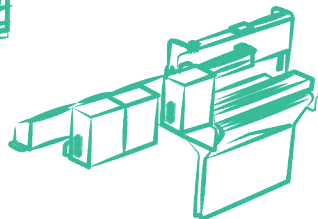
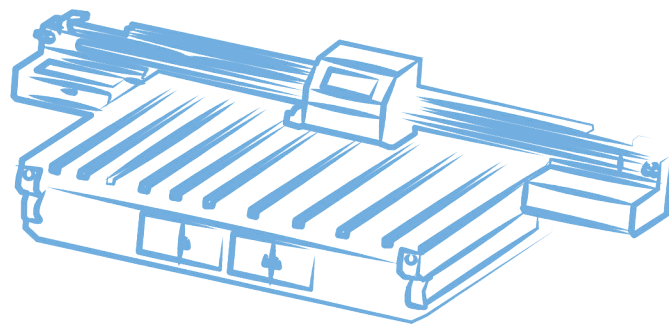
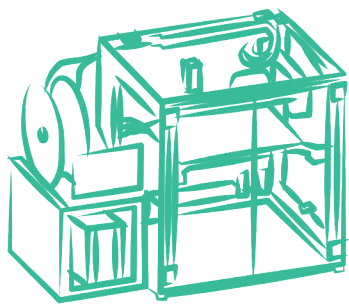
INDIVIDUAL MONITORING OF DUAL EXTRUSIONS ON A STACK OF MATERIAL OR THE END OF FILAMENT. AFTER ACTIVATION PRINTERS PAUSES PROCESS.



WATCH OUR **AX3DPRINT**
VIDEO PRESENTATION!

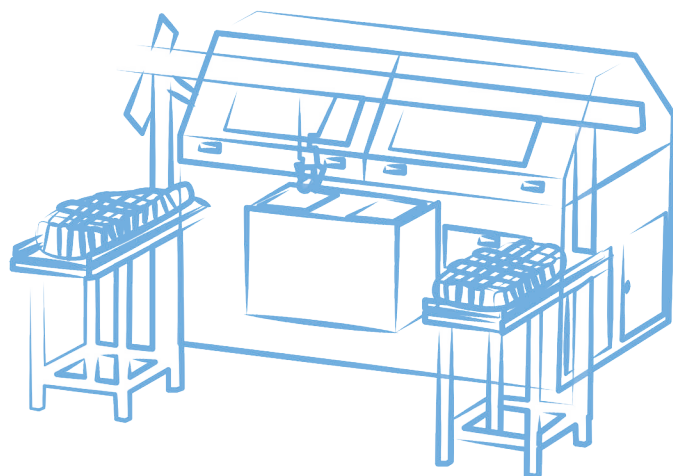
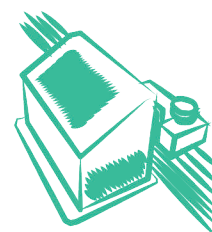
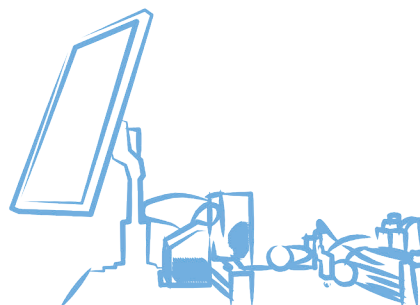
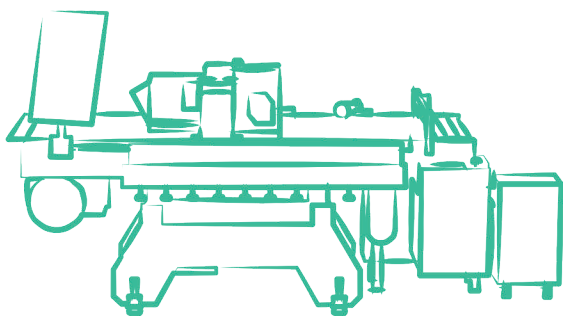


AX
3DPRINT



AROJA XORFEX

D I G I T A L S O L U T I O N S



HEADQUARTER CZECH REPUBLIC

TR. MASARYKOVA 197
698 01 VESELÍ NAD MORAVOU
CZECH REPUBLIC / EU



SALES@AROJAXORFEX.COM

MARKETING@AROJAXORFEX.COM